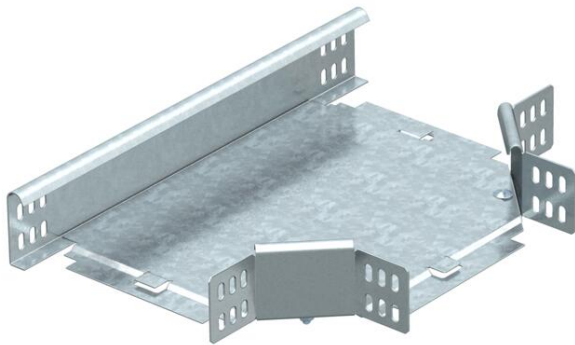


Technical data sheet

T branch piece 60 FT

Item number: 7117306



Horizontal T branch piece, for all cable tray types of 60 mm side height.
The fitting is shipped in an unmounted state. All the sides are designed for the same cable tray width.
Including appropriate fastening material.



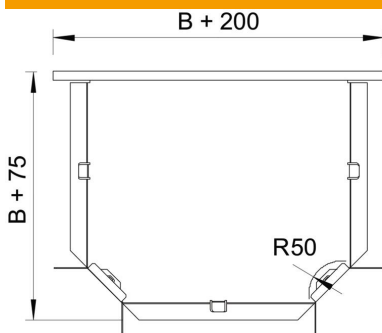
St Steel

FT Hot-dip galvanised

Master data

Item number	7117306
Type	RT 630 FT
Description 1	T-branch piece
Description 2	horizontal + angle connector
Manufacturer	OBO
Dimension	60x300
Material	Steel
Surface	Hot-dip galvanised
Surface standard	DIN EN ISO 1461
Smallest sales unit	1
Unit of quantity	Piece
Weight	215.9 kg
Weight unit	kg/100 pc.

Dimensions



Width	300 mm
Width	12 in
Height	60 mm
Dimension B	300 mm
Dimension R	50 mm

Technical data sheet

T branch piece 60 FT

Item number: 7117306



Technical data

Bend (angle)	90°
Connector version	Supplied connectors
Maintain electrical functions	no
NATO hole pattern	no
Change of direction	Horizontal
Rustproof steel, pickled	no
Wide-span version	no
Type of connector, cable support system	Screwed
Rail thickness	1.25 mm