

Technical data sheet

Head plate FT

Item number: 6348874



Head plate for mounting on US 3 supports.
The head plate can be mounted to fixed lengths of the U support, type US 3.
Including appropriate fastening material.
Including appropriate fastening material.



St Steel

FT Hot-dip galvanised

Master data

Item number	6348874
Type	KU 3 FT
Description 1	Head plate
Description 2	for US 3 support
Manufacturer	OBO
Dimension	130x40x100
Colour	zinc
Material	Steel
Surface	Hot-dip galvanised
Surface standard	DIN EN ISO 1461
Smallest sales unit	1
Unit of quantity	Piece
Weight	42.3 kg
Weight unit	kg/100 pc.
CO2 Footprint (GWP) Cradle-to-Gate	1,0373 kg CO2e / 1 Piece

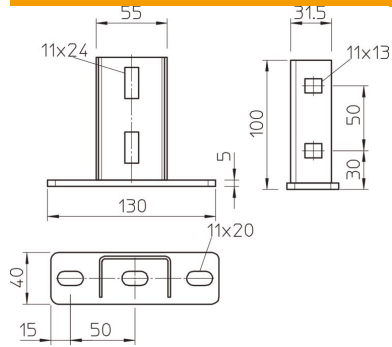
Technical data sheet

Head plate FT

Item number: 6348874



Dimensions



Length	130 mm
Width	40 mm
Height	100 mm

Technical data

Version for	Screw head plate
Maintain electrical functions	no
Suitable for ceiling fastening	yes
Suitable for panel fastening	no
Suitable for profile shapes	U profile
Rustproof steel, pickled	no
Angle range, max.	90 mm
Angle range, min.	90 mm