

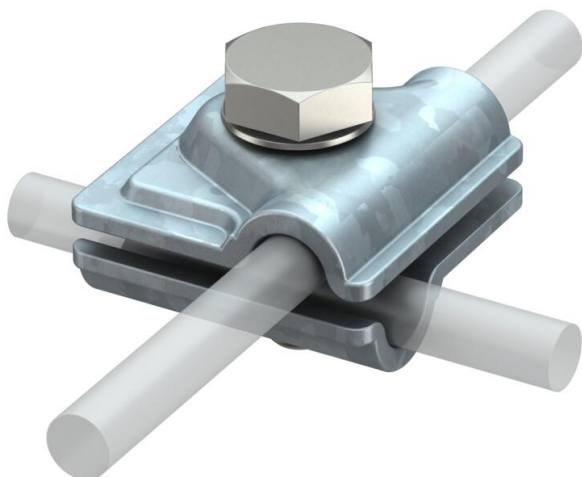
# Technical data sheet

## Vario quick connector FT

Item number: 5311705



- For T, cross and parallel connectors
- Quick installation using hexagonal bolt M10 x 30, high-grade stainless steel
- Conforms to the requirements according to DIN VDE 0185-305 (IEC 62305)



**FT** Hot-dip galvanised

### Master data

Item number	5311705
Type	249 B ST
Description 1	Variable earthing connector
Manufacturer	OBO
Dimension	40x40mm
Surface	Hot-dip galvanised
Surface standard	DIN EN ISO 1461
Smallest sales unit	100
Unit of quantity	Piece
Weight	9.235 kg
Weight unit	kg/100 pc.
CO2 Footprint (GWP) Cradle-to-Gate	0,3577 kg CO2e / 1 Piece

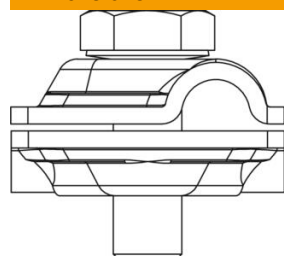
# Technical data sheet

## Vario quick connector FT

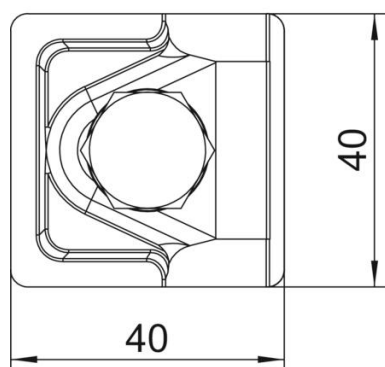
Item number: 5311705



### Dimensions



Dimension A | 40 mm



### Technical data

Type of fastening screw	Hexagonal bolt
Type of connector	Multipurpose connection clamp
Lightning current carrying capacity	H/100 kA
Suitable for connection	Round conductor Rd 8–10 / Rd 8–10
Short-circuit current (50 Hz)(1 s; $\leq 300^{\circ}\text{C}$ )	5.6 kA
Fit	Rd 8-10 mm
Round conductor diameter, conductor 1, max.	10 mm
Round conductor diameter, conductor 1, min.	8 mm
Round conductor diameter, conductor 2, max.	10 mm
Round conductor diameter, conductor 2, min.	8 mm
Intermediate plate	no