

Technical data sheet

Terminal strip 1.5–6 mm², junction box, T series

Item number: 2016185



Terminals and screws made of steel, galvanised and transparent-chromated, nominal cross-section 1.5 ÷ 6 mm², rated voltage 400 V, five-pole, with socket terminals, max. connectable cross-sections per terminal: 3x6 mm², 4x4 mm² or 6x2.5 mm².
System accessories for B9/TM; T60 junction box



PA Polyamide

Master data

Item number	2016185
Type	KL-T 02-06
Description 1	Terminal strip
Manufacturer	OBO
Dimension	6mm ²
Colour	Light grey
Material	Polyamide
Smallest sales unit	10
Unit of quantity	Piece
Weight	4.38 kg
Weight unit	kg/100 pc.
CO2 Footprint (GWP) Cradle-to-Gate	0,1677 kg CO2e / 1 Piece

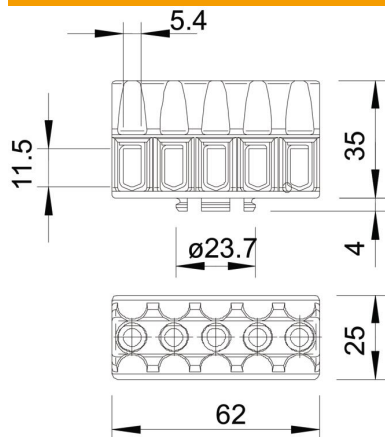
Technical data sheet

Terminal strip 1.5–6 mm², junction box, T series

Item number: 2016185



Dimensions



Length	62 mm
Width	25 mm
Height	35 mm

Technical data

Closing plate required	no
Connectable conductor cross-section, single-wire, max.	6 mm ²
Connectable conductor cross-section, single-wire, min.	2.5 mm ²
Connection position	Side
No. of terminals	5
Number of screwless terminals per pole	1
Version of electrical connection 1	Screw connection
Explosion-tested version	no
Insulation material	Thermoplast
Mounting type	Miscellaneous
Nominal cross-section, max.	6 mm ²
Nominal cross-section, min.	1.5 mm ²
Nominal voltage	400 V
Nominal current	41 A
Pole number	5
Cross-section	Max. connectable cross-sections per terminal: 3 x 6 mm ² , 4 x 4 mm ² or 6 x 2.5 mm ² mm ²
Transparent	no