

# Technical data sheet

## Spacer clip 733 A4

Item number: 1362914



Spacer clip for the installation of pipes and cables on walls, ceilings and floors. With self-locking cover. Fastening via slot.

Approved for the maintenance of electrical function according to DIN 4102 Part 12, maintenance of electrical function classes E 30 to E 90.



A4 Stainless steel

### Master data

|                                    |                          |
|------------------------------------|--------------------------|
| Item number                        | 1362914                  |
| Type                               | ASL 733 20 A4            |
| Description 1                      | Distance saddle          |
| Description 2                      | with slot                |
| Manufacturer                       | OBO                      |
| Dimension                          | 17-20mm                  |
| Material                           | Stainless steel 1.4571   |
| Smallest sales unit                | 25                       |
| Unit of quantity                   | Piece                    |
| Weight                             | 2.243 kg                 |
| Weight unit                        | kg/100 pc.               |
| CO2 Footprint (GWP) Cradle-to-Gate | 0,1699 kg CO2e / 1 Piece |

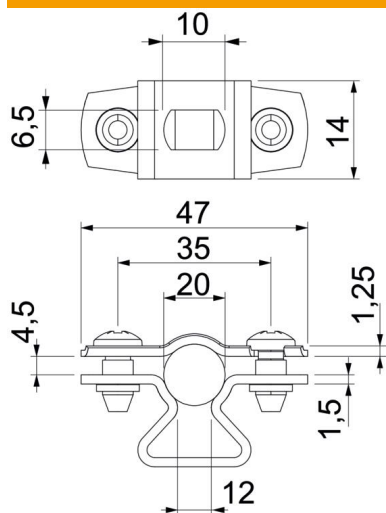
# Technical data sheet

## Spacer clip 733 A4

Item number: 1362914



### Dimensions



|                   |        |
|-------------------|--------|
| Dimension A       | 47 mm  |
| Dimension B       | 35 mm  |
| Dimension b       | 14 mm  |
| Dimension D       | 20 mm  |
| Dimension d max.  | 20 mm  |
| Dimension d min.  | 17 mm  |
| Dimension L       | 10 mm  |
| Dimension s       | 12 mm  |
| Dimension t1 (mm) | 1.25   |
| Dimension t2 (mm) | 1.5    |
| Dimension x       | 4.5 mm |

### Technical data

|                               |            |
|-------------------------------|------------|
| Distance to the wall          | yes        |
| Number of cables/pipes        | 1          |
| Version for                   | Closed     |
| Fastening type                | Screw hole |
| Maintain electrical functions | yes        |
| For diameter                  | 17 - 20    |
| Halogen-free                  | yes        |
| Plastic-covered               | no         |
| Material thickness            | 1.5 mm     |
| Clamping range D, max.        | 20 mm      |
| Clamping range D, min.        | 17 mm      |
| UV-resistant                  | yes        |