

# Technical data sheet

## Mounting bracket, 90° with 6 holes FT

Item number: 1124792



Reinforced mounting bracket with 6 holes to connect profile rails 41 x 41 mm and 41 x 21 mm at an angle of 90°. Additional fastening option for a strut at an angle of 45° with an adjusting range of +/- 30°. Can be used for angles between 15° and 75°.

CE

- St** Steel
- FT** Hot-dip galvanised

### Master data

Item number	1124792
Type	GMS 6 KD FT
Description 1	Triangular node
Description 2	90°, with 6 holes
Manufacturer	OBO
Dimension	104x104x43x5
Material	Steel
Surface	Hot-dip galvanised
Surface standard	DIN EN ISO 1461
Smallest sales unit	10
Unit of quantity	Piece
Weight	50.9 kg
Weight unit	kg/100 pc.
CO2 Footprint (GWP) Cradle-to-Gate	1,2545 kg CO2e / 1 Piece

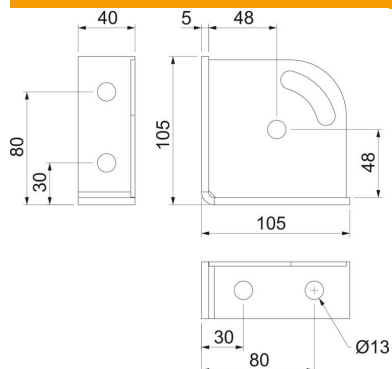
# Technical data sheet

## Mounting bracket, 90° with 6 holes FT

Item number: 1124792



### Dimensions



Length	104 mm
Width	104 mm
Height	43 mm

### Technical data

Version for	90° bracket
Version for	Bracket
Suitable for profile shapes	C profile
Hole size	13 mm
Material thickness	5 mm
With screw accessories	no
Rustproof steel, pickled	no