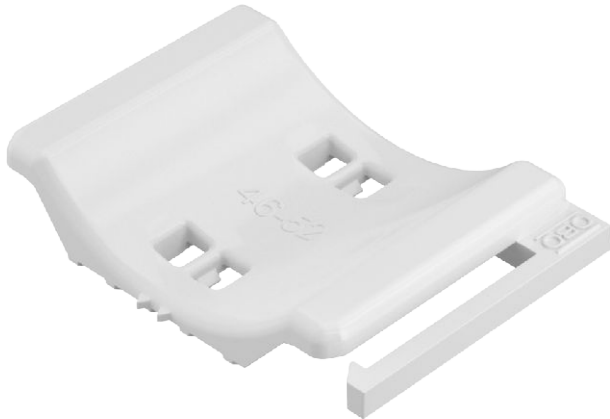


Technical data sheet

Universal counter-trough, plastic

Item no. 1198052



Regardless of the type of rail, the counter-trough can be used by applying it onto one side of the clamp clip. Due to an intelligent contour on the backside, the counter-trough can be combined to a double trough. Retrofitting possible without the need to dismantle.

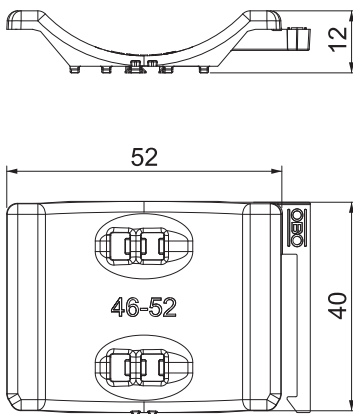


PP Polypropylene

Master data

| | |
|--------------------------|-------------------------------|
| Item no. | 1198052 |
| Type | 2058UW 52 LGR |
| Description 1 | Counter-trough |
| Description 2 | combinable with double trough |
| Available from | 15.05.2019 |
| Dimension | 46-52mm |
| Colour | Light grey |
| RAL number | 7035 |
| Material | Polypropylene |
| Material symbol | PP |
| Smallest sales unit (VG) | 50 Piece |
| Weight | 0,72 kg/100 pc. |

Technical data



| | |
|----------------------------------|------------------|
| Dimension B | 57,50 mm |
| Dimension H | 11,80 mm |
| Dimension L | 40,00 mm |
| Counter-trough/clip version | Counter-trough |
| Suitable for max. cable diameter | 52,00 mm |
| Clamping range D | 46,00 - 52,00 mm |