

Technical data sheet

Universal counter-trough, plastic

Item no. 1198040



Regardless of the type of rail, the counter-trough can be used by applying it onto one side of the clamp clip. Due to an intelligent contour on the backside, the counter-trough can be combined to a double trough. Retrofitting possible without the need to dismantle.

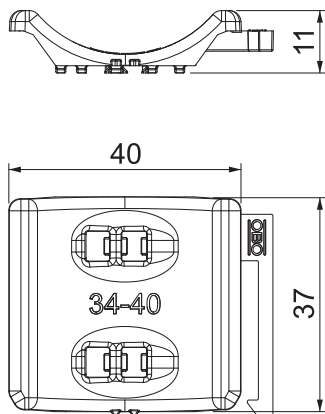


PP Polypropylene

Master data

Item no.	1198040
Type	2058UW 40 LGR
Description 1	Counter-trough
Description 2	combinable with double trough
Available from	15.05.2019
Dimension	34-40mm
Colour	Light grey
RAL number	7035
Material	Polypropylene
Material symbol	PP
Smallest sales unit (VG)	50 Piece
Weight	0,50 kg/100 pc.

Technical data



Dimension B	45,50 mm
Dimension H	10,80 mm
Dimension L	37,00 mm
Counter-trough/clip version	Counter-trough
Suitable for max. cable diameter	40,00 mm
Clamping range D	34,00 - 40,00 mm