

Technical data sheet

Combination arrester V25, 3-pole + NPE 385 V with remote signalling
Item no. 5094526



Combination arrester, lightning and surge arrester type 1+2

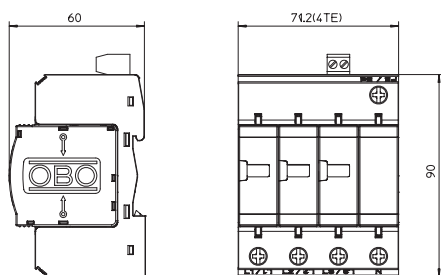
- Complete unit consisting of upper part and base, pre-mounted and ready for connection
- Universally suitable for TN and TT systems
- With remote signalling and potential-free changeover contact for function monitoring
- Plug-in arrester with dynamic cut-off unit
- Visual function display
- Voltage protection level < 900V
- Encapsulated, non-extinguishing zinc oxide varistor arrester for use in standard distributor housings
- Labelled connections

Application example: Buildings with open-wire power supply or for setting up lightning protection equipotential bonding in residential buildings.

* Complete = Plug-in arrester and base



Dimensions



Master data

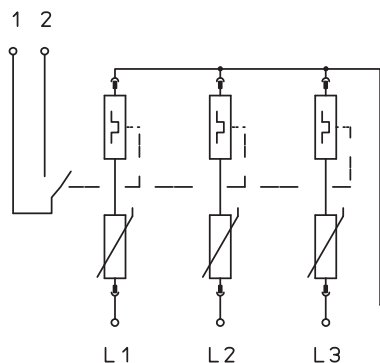
Item no.	5094526
Type	V25-B+C 3NPEFS38
Description 1	CombiController V25
Description 2	3+1 with remote signalling
Dimension	385V
Smallest sales unit (VG)	1 Piece
Weight	51,00 kg/100 pc.

Technical data sheet

Combination arrester V25, 3-pole + NPE 385 V with remote signalling
Item no. 5094526



Technical data



SPD to EN 61643-11	Type 1+2
SPD to IEC 61643-11	Class I+II
Nominal voltage	350,00 V
Maximum continuous voltage AC	385,00 V
Max. continuous operating voltage	385,00 V
U max AC (8/20 μ s)	150,00 V
U max DC	200,00 V
Nominal discharge current (8/20)	30 kA
Nominal discharge current (8/20 μ s) [L-N]	30,00 kA
Nominal discharge current (8/20 μ s) [N-PE]	30,00 kA
Maximum discharge current (8/20 μ s)	50,00 kA
Impulse discharge current (10/350)	7,00 kA
Lightning impulse current (10/350) (N-PE)	25,00 kA
Lightning impulse current (10/350) (L-N)	7,00 kA
Lightning surge current (10/350)	25,00 kA
Arrester surge current (8/20) [total]	120,00 kA
Protection level	< 1,5 kV
Protection level (L-N)	< 1,6 kV
Protection level (N-PE)	< 1,2 kV
Response time	< 25 ns
Maximum back-up fuse	160,00 A
Temperature range	-40-+80 °C
Pole version	3+N/PE
Pole number	1
Version	3+NPE
Version	3 + NPE
Protection rating	IP20
Protection rating	IP 20
Blow-out	<input type="checkbox"/>
Division unit TE (17.5 mm)	4
Remote signalling	<input checked="" type="checkbox"/>
Telecommunications contact	<input checked="" type="checkbox"/>
Connection cross-section, flexible	2,50 - 25,00 mm ²
Connection cross-section, rigid	2,50 - 35,00 mm ²
Connection cross-section, multi-wire	2,50 - 35,00 mm ²
Signalling on device	Visual