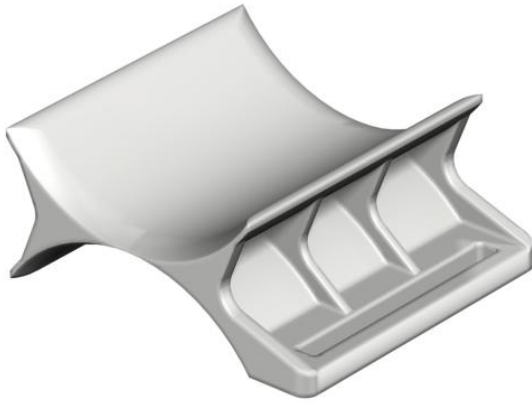


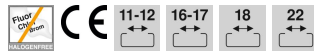
Technical data sheet

Double trough, plastic

Item number: 1196464



Clamp clips allows both cables and pipes to be fastened to profile rails. The clamp clips are hooked into the appropriate slot widths of the profile rails and the component to be fastened is pressed onto the profile rail with the pressure trough of the clamp clip and held in place.



PP Polypropylene

Master data

Item number	1196464
Type	2058 2 46 LGR
Description 1	Double trough
Manufacturer	OBO
Dimension	40-46mm
Colour	Light grey; RAL 7035
Material	Polypropylene
Smallest sales unit	50
Unit of quantity	Piece
Weight	0.676 kg
Weight unit	kg/100 pc.

Technical data sheet

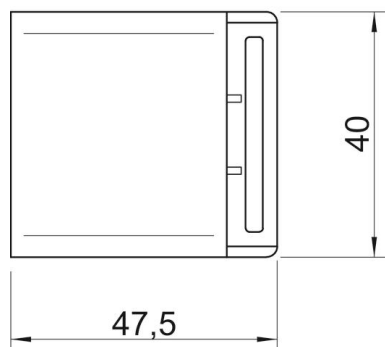
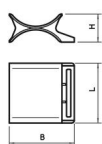
Double trough, plastic

Item number: 1196464



Dimensions

Dimension B	47.5 mm
Dimension H	20 mm
Dimension L	40 mm



Technical data

Counter-trough/clip version	Double trough
Suitable for max. cable diameter	46 mm
Halogen-free	yes
Clamping range D, max.	46 mm
Clamping range D, min.	40 mm