

Technical data sheet

Clamp clip, triple, FT plastic pressure trough

Item number: 1162160



Suitable for all C profile rails with slot width 16–17 mm.
Hot-dip galvanised steel clamp and bolt, polypropylene pressure trough, halogen-free, colour light grey RAL 7035.
Version with welding and/or locknuts for use under difficult circumstances and for shake protection on request.



St Steel

FT Hot-dip galvanised

Master data

Item number	1162160
Type	2056 3 16 FT
Description 1	Clamp clip
Description 2	triple
Manufacturer	OBO
Dimension	12-16mm
Material	Steel
Surface	Hot-dip galvanised
Surface standard	DIN EN ISO 1461
Smallest sales unit	50
Unit of quantity	Piece
Weight	6.2 kg
Weight unit	kg/100 pc.

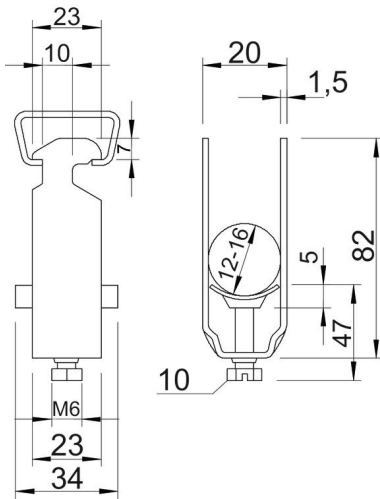
Technical data sheet

Clamp clip, triple, FT plastic pressure trough



Item number: 1162160

Dimensions



Dimension A	23 mm
Dimension B	20 mm
Dimension C	34 mm
Dimension G (mm)	M6
Dimension H	82 mm
Dimension L	47 mm
Dimension t	1.5 mm
Dimension x	5 mm

Technical data

Number of cables/pipes	3
for rail with slot width (with interval), max.	17 mm
for rail with slot width (with interval), min.	16 mm
Halogen-free	yes
Max. Tightening torque	3 Nm
With plastic trough	yes
With metal trough	no
Mounting type	Profile rail
Impact-resistant	no
Clamping range D, max.	16 mm
Clamping range D, min.	12 mm
Surface addition	hot galvanised
Material addition	Steel
With counter-trough	no
Material of trough	Plastic
Material quality of trough	Polypropylene