

# Technical data sheet

## Clamp clip, double, FT plastic pressure trough

Item number: 1161229



Suitable for all C profile rails with slot width 16–17 mm.  
Hot-dip galvanized steel clamp and bolt, polypropylene pressure trough, halogen-free, colour light grey RAL 7035.  
Version with welding and/or locknuts for use under difficult circumstances and for shake protection on request.



St

Steel

FT

Hot-dip galvanised

### Master data

Item number	1161229
Type	2056 2 22 FT
Description 1	Clamp clip
Description 2	double
Manufacturer	OBO
Dimension	16-22mm
Material	Steel
Surface	Hot-dip galvanised
Surface standard	DIN EN ISO 1461
Smallest sales unit	50
Unit of quantity	Piece
Weight	5.12 kg
Weight unit	kg/100 pc.

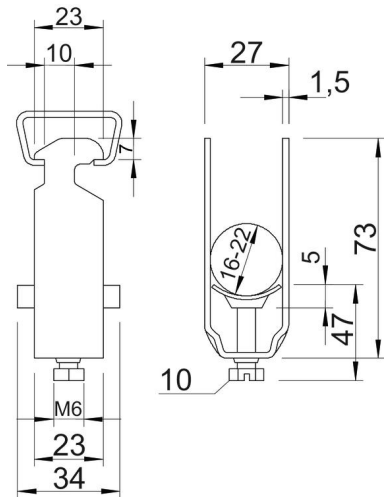
# Technical data sheet

## Clamp clip, double, FT plastic pressure trough

Item number: 1161229



### Dimensions



Dimension A	23 mm
Dimension B	27 mm
Dimension C	34 mm
Dimension G (mm)	M6
Dimension H	73 mm
Dimension L	47 mm
Dimension t	1.5 mm
Dimension x	5 mm

### Technical data

Number of cables/pipes	2
for rail with slot width (with interval), max.	17 mm
for rail with slot width (with interval), min.	16 mm
Halogen-free	yes
Max. Tightening torque	3 Nm
With plastic trough	yes
With metal trough	no
Mounting type	Profile rail
Impact-resistant	no
Clamping range D, max.	22 mm
Clamping range D, min.	16 mm
Surface addition	hot galvanised
Material addition	Steel
With counter-trough	no
Material of trough	Plastic
Material quality of trough	Polypropylene